

Current mode PWM controller with integrated high voltage power MOSFET LY9623

GENERAL DESCRIPTION

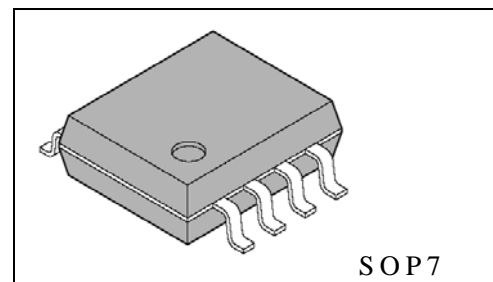
LY9623 combines a dedicated current mode PWM controller with integrated high voltage power MOSFET.

VDD low startup current and low operating current contribute to a reliable power on startup design with LY9623. the IC operates in Extended

'burst mode' to minimize switching loss. Lower standby power and higher conversion efficiency is thus achieved.

LY9623 operates in the fixed PWM frequency ,the frequency is 67KHz.

Excellent EMI performance is achieved with proprietary frequency shuffling technique Soft Start with 4mS, LY9623 offers complete protection coverage with automatic self-recovery feature including VDD over voltage clamp and under voltage lockout (UVLO), over voltage protection(OVP),over current protection (OCP).LY9623 is offered in SOP-7 package.



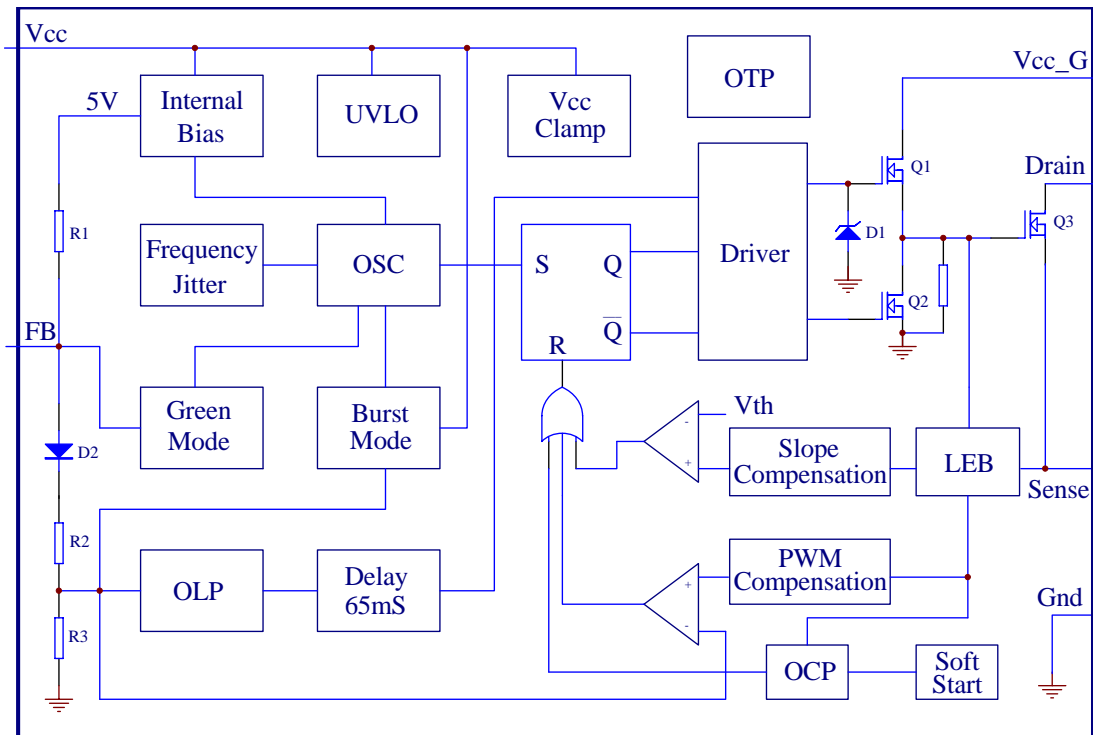
FEATURES

- Integrated high voltage power MOSFET
- Low Vcc Startup Current(5 μ A)
- "No Y-CAP"system design in sub 10W range
- Frequency shuffling for EMI
- Over current Protection(OCP),over voltage Protection(OVP)
- UVLO and Auto Self- Recovery
- Soft Start with 4mS
- Burst Mode
- Cycle-by-Cycle Over-current limiting
- OTP

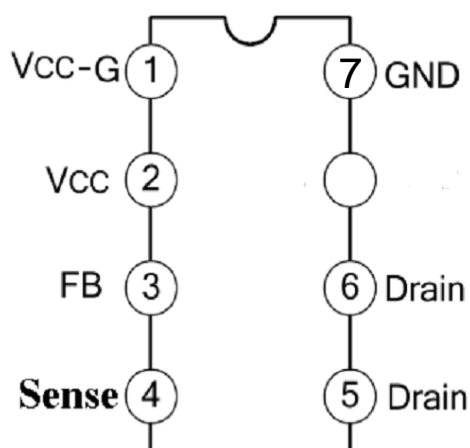
APPLICATIONS

- DVD/DVB/Set-Top Box Power Supplies
- Offline AC/DC Flyback converter
- Battery Charger Apple Charger
- Open-frame SMPS

BLOCK DIAGRAM



PIN CONNECTION



OUTLINE DRAWING

